


7UHQFK 026 %DUULHU 6FKRWWN\ 5H

**TO-220AB**  
TSR / &7



**ITO-220AB**  
TSR / &7F



**Features**

- ‡ \$GYDQWUHQFK WHFKQRORJ\
- ‡ /RZRUZDURGDWDJH GURS
- ‡ /RZRZURVVHV
- ‡ +LJKILFLHQF\ RSHUDWLRO
- ‡ /HDGH)HLQLVK &R#6OLDQW

**Applications**

- ‡ '&' &RQYHUWHUV
- ‡ \$\$ '&\$GDSWRUV
- ‡ 6ZLWFKRZHXSSOLHV
- ‡ )UHHZKH'HLRQJ

**Maximum ratings and electrical characteristics (T<sub>J</sub> = 25°C unless otherwise noted)**

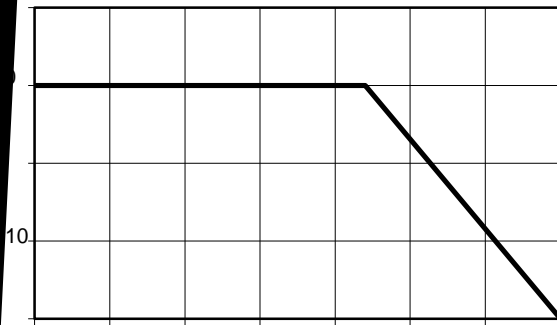
3DUDPHWHU		6\PERO	/LPLW	8QLW	
0D[LPXPHSHVSHUNYHYURQHW DJH		9550		9	
0D[LPXPHYHURJHZDUG UFKUWHIHWG		GHYLFH ,) \$9		\$	
SHGLRGH					
3HDN IRVZDURBUHQW VLKDDHQH ZDYH		, )60		\$	
VXSHULPSRVHGRFSGURVGHG					
2SHUDMXQDQURWRUDJH WHPSHUDW		XUHURDJH	WR75	f&	
7\SLFVCHUPDO USHVULVQHDQFH		72 \$%	5\$-&	f& :	
		,72 \$%			f& :
,QVWDQWDQHRURVURJHZDUG SHGLRGH		9)	7<3	0\$;	
	,) \$		7-	f&	9
	,) \$		7-	f&	
	,) \$		7-	f&	
,) \$	7-	f&			
,QVWDQWDQHRXUUSHVURVQHW		,5		X\$	
				P\$	

1RWHV

3XOVH WHVWSXOVH ZLGWK GXW\FFOH

3XOVH WHVW 3XOVH ZLGWK 0 PV

TESTING AND CHARACTERISTICS CURVES

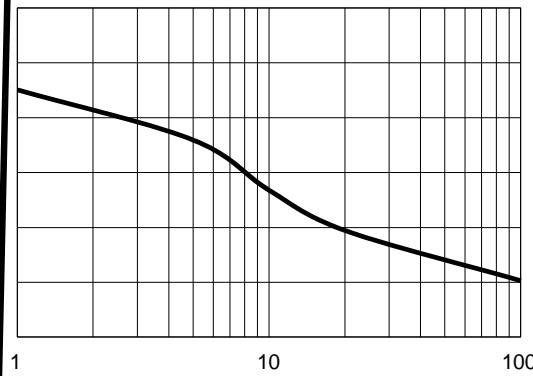


7 F & DVH 7 & HPS

Current Derating, Case

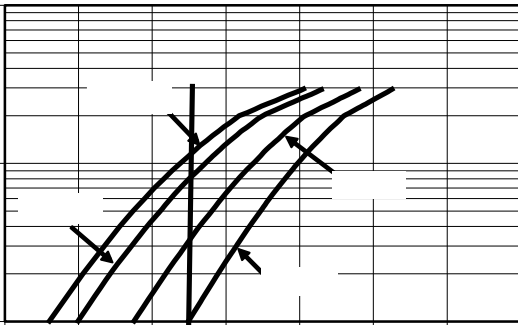
3 HDN ) RUZDUG 6 X U \$ J H & X U J H Q W

f & X Q O H V Q R W K B U Z L V H



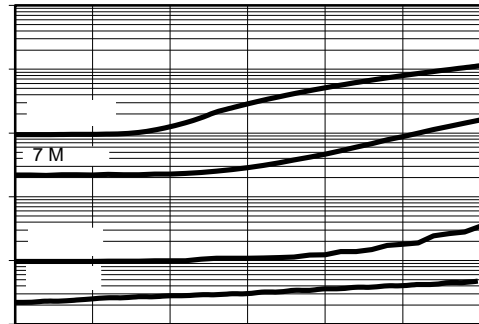
1 X P E R I U \ F O D I W + ]

Maximum Repetitive Surge Current



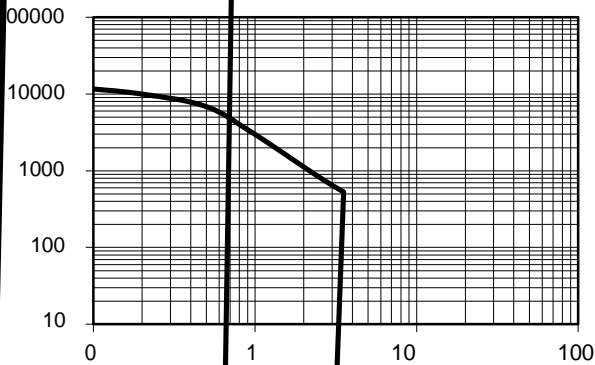
9 I , Q V W D Q W D Q H R X O W ) D R L J Z D R U G

Typical Forward Voltage



9 5 5 H Y H U V H 9 R O W D J H 9 R O W V

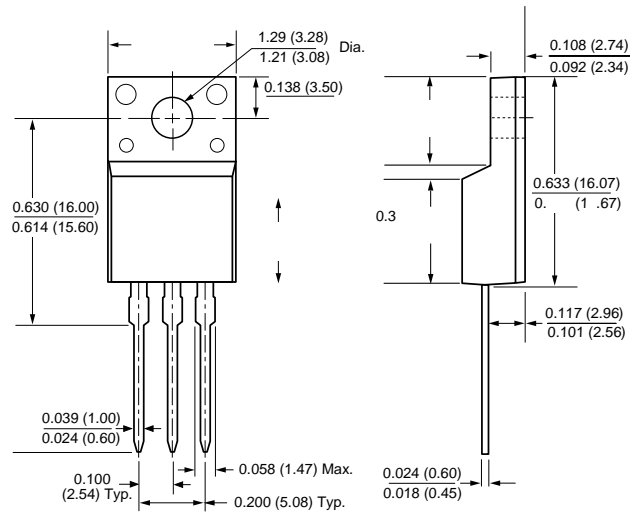
Typical Reverse Current



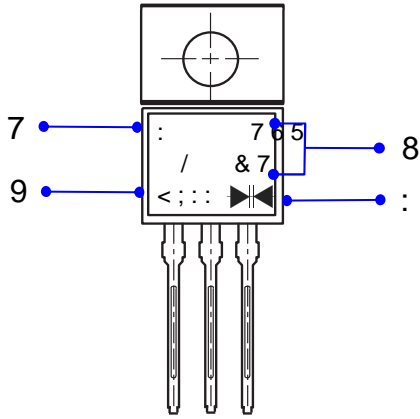
5 H Y H U R O W D J H

Typical Junction Capacitance

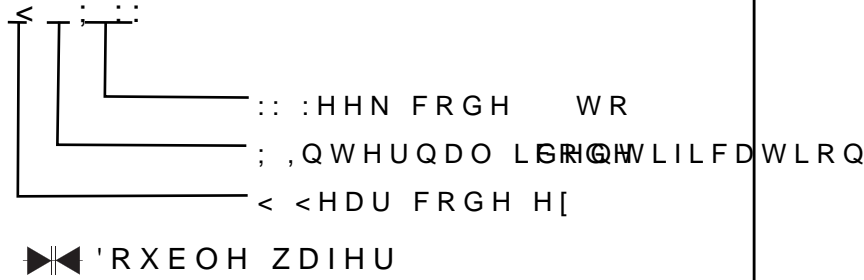
# PACKAGE OUTLINE DIMENSIONS



### 0DUNLQJ ,QIRUPDWLRQ

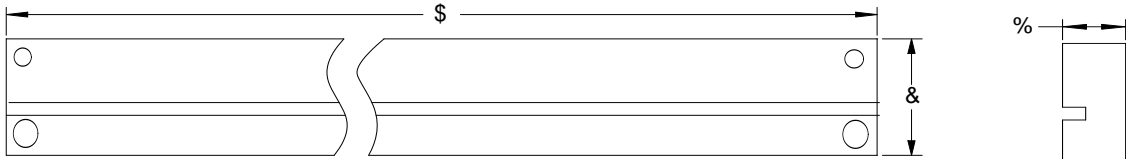


7 : &RPSDQ\ V WUDGHPDUN  
 8 3URGXFW 765 / &7) )  
 9 3' & LQIRUPDWLRQ



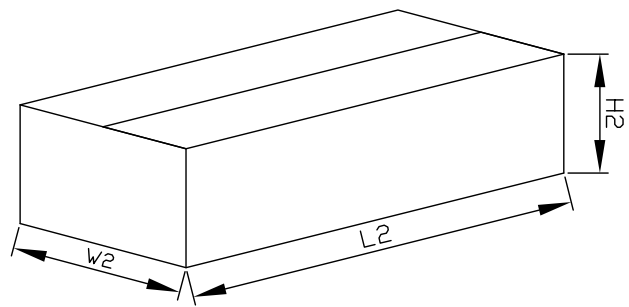
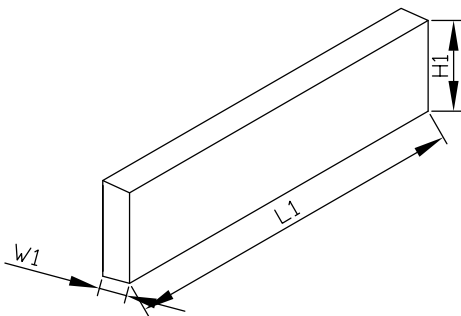
### 3DFNDJLQJ ,QIRUPDWLRQ

7XEH 'LPHQVLRQV



,QVLGH %R[

2XWVLGH %R[



### 3DFNDJLQJ ,QIRUPDWLRQ

12	81,	7XEH 'LPHQVLRQV			,QVLGH %R[			2XWVLGH %R[		
6L]H	PP	\$	%	&	/	:	+	/	:	+
47<	3&6	3&6 7XEH			6PDO SHFWDJH3&6 WXEORWDO			3&6 FDUERGLWRWDO		
1RWH	7ROHUDQFH PP" PP PP" PP PP" PP									