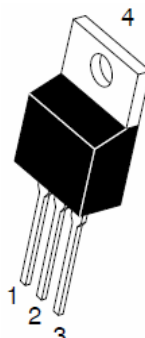



7 UHQFK 026 %DUULHU 6FKRWWN\ 5H

TO-220AB
TSR / CT 6



1 2 3 4

ITO-220AB
TSR / CTF 6



Features

- ‡ \$GYDQWUHQFK WHFKQRORJ\
- ‡ /RZRZURGRWDJH GURS
- ‡ /RZRZURVHV
- ‡ +LJHILFLHQF\ RSHUDWLRO
- ‡ /HDGH)HLQLVK &R#6OLDQW

Applications

- ‡ '&' &RQYHUWHUV
- ‡ \$&'&GDSWRUV
- ‡ 6ZLWFKRZHXSSOLHV
- ‡)UHHZKHHLRGRJ

Maximum ratings and electrical characteristics (T_J = 25°C unless otherwise noted)

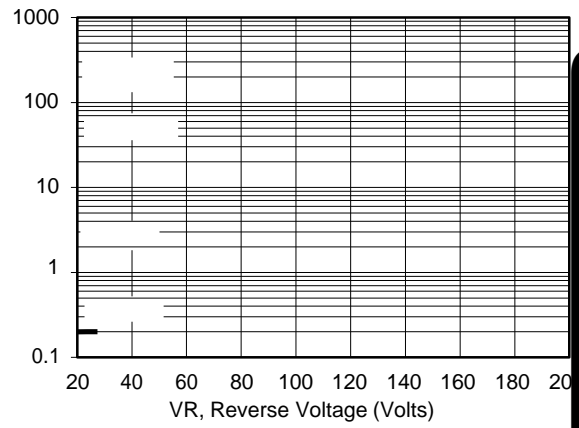
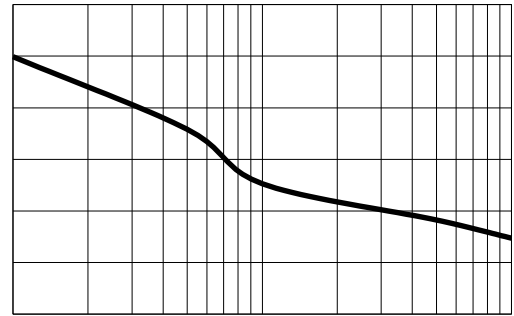
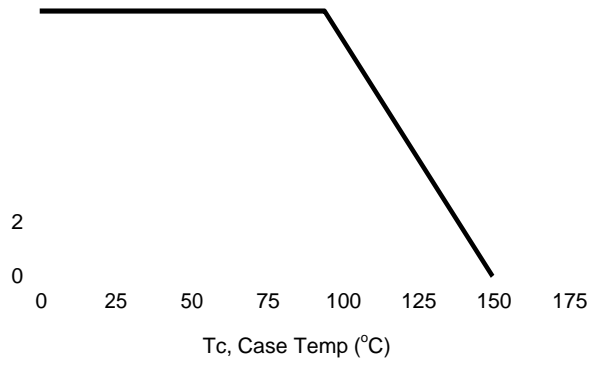
3DUDPHWHU	6\PERO	/LPLW	8QLW
0D[LXPXPHSHVSHUNYHYURQHW DJH	9550		9
0D[LXPYHURJHZDUG UFXEWHQWGHYLFH ,) \$9			\$
3HDN IRVZDUEBUHQW VLQDQH ZDYH VXSHULPSRVHGRSCGLRCHG	,)60	5	\$
2SHUDMXQDQLRQWRUDJH WHPSHUDW XUHURDJH WR			f&
7\SLFVCHUPDO USHVULVQHDQFH	72 \$% ,72 \$%		f& : f& :
,QVWDQWDQHRXURWRUJZDUG SHGLRGH	9)	7<3	0\$;
,QVWDQWDQHRXUUSHQWRUJZDUG UDWHYHYURQHW DJH	,5		X\$
			P\$

1RWHV
3XOVH WHVVSXOVH ZLGWK GXW\F\FOH
3XOVH WHVW 3XOPH ZLGWK 0

RATINGS AND CHARACTERISTICS CURVES

7\$

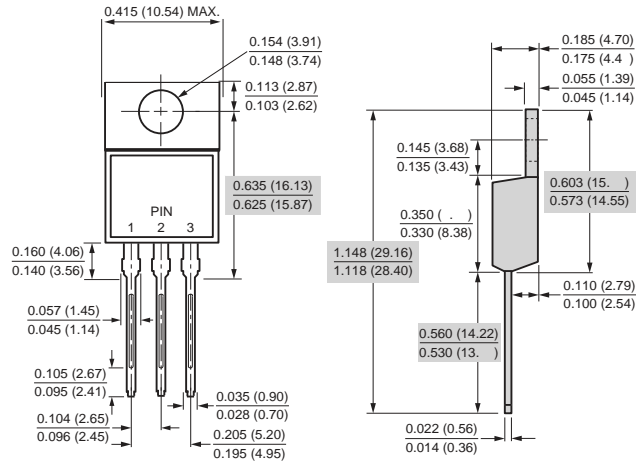
f & X Q O H V Q R W K B U Z L V H



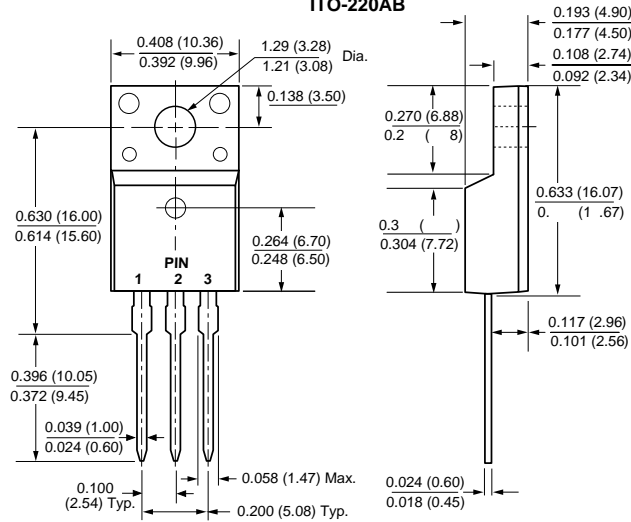
PACKAGE OUTLINE DIMENSIONS

1 R W H X Q L W , Q P P

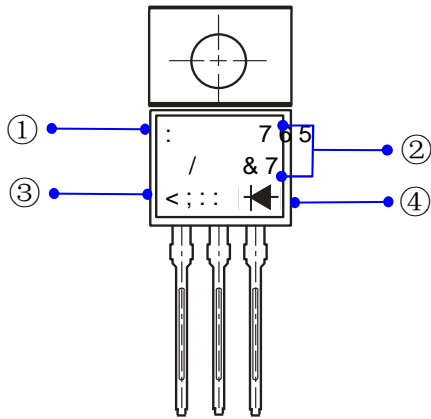
TO-220AB



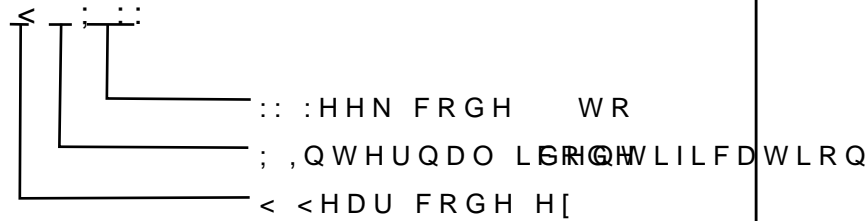
ITO-220AB



Marking Information



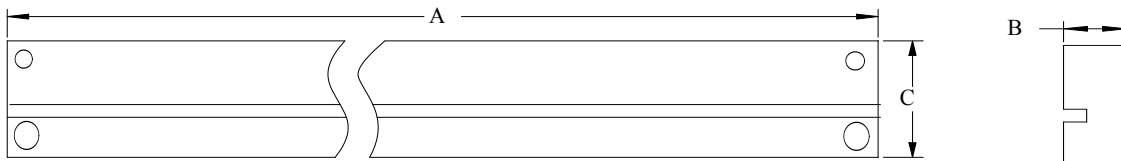
- ①
- ② 3URGXFW 765GHO&7RU 765 / &7)
- ③ 3'& LQIRUPDWLRQ



- ④ ← 6LQJZDIHU

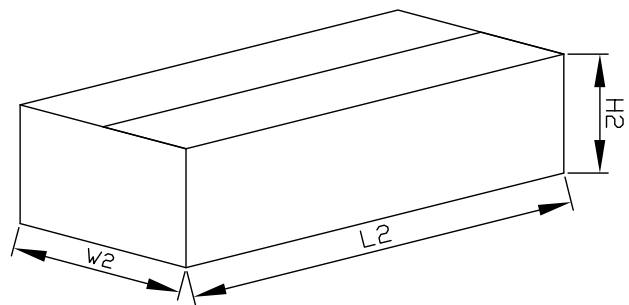
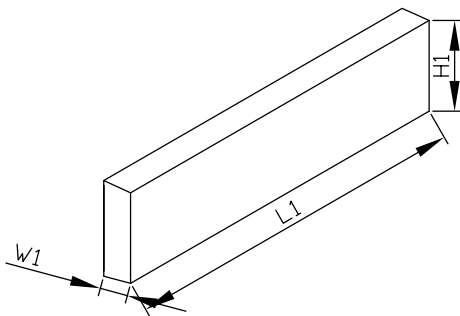
Packaging Information

7XEH 'LPHQVLRQV



,QVLGH %R[

2XWVLGH %R[



Packaging Information

12	81,	7XEH 'LPHQVLRQV			,QVLGH %R[2XWVLGH %R[
		\$	%	&	/	:	+	/	:	+
6L]H	PP									
47<	3&6	3&6 7XEH			6PDO&7RU 765GHO&7RU 765 WXE&7RU 765GHO&7RU 765			3&6 FDU&7RU 765GHO&7RU 765		
1RW	H	7ROHUDQF&7RU 765GHO&7RU 765			PP" PP			PP" PP		