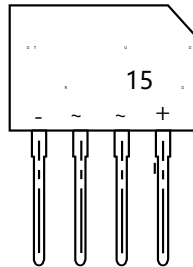


## 15A Surface Mount Schottky Bridge Rectifier



PIN	DESCRIPTION
1	Input Pin ~
2	Input Pin ~
3	Output Anode +
4	Output Cathode -

### Features

- Glass Passivated Chip Junction
- Reverse Voltage - 100 V
- Forward Current - 15 A
- High Surge Current Capability
- Thermal welding performance: 260°C/10sec

### Applications

- Case: GBU
- Terminals: Solderable Per MIL-STD-750

Ratings at 25 °C ambient temperature unless otherwise specified.

Single phase half-wave 60 Hz, resistive or inductive load, for capacitive load current derate by 20 %.

	Symbols	KGBU1510	
Maximum Repetitive Peak Reverse Voltage	VRRM	100	V
Maximum RMS voltage	VRMS	70	V
Maximum DC Blocking Voltage	VDC	100	V
Average Rectified Output Current	$I_o$	15.0	A
Peak Forward Surge Current 8.3 ms Single Half Sine Wave Superimposed on Rated Load (JEDEC Method)	IFSM	20	A
$I^2 t$ rating for fusing ( 1ms < $t$ < 8.3ms)	$I^2 t$		A <sup>2</sup> S
Maximum Forward Voltage at 7.5 A	VF	1.1	V
Maximum DC Reverse Current @TA=25 °C at Rated DC Blocking Voltage @TA=125 °C	IR	5 500	μA
Typical Junction Capacitance Note1	Cj	70	pF
Operating and Storage Temperature Range	Tj, Tstg	-55 ~ +175	°C
Typical thermal resistance (Note 2)	RthJA RthJL	9.0 1.5	°C/W

Note: 1. Measured at 1MHz and applied reverse voltage of 4 VDC.

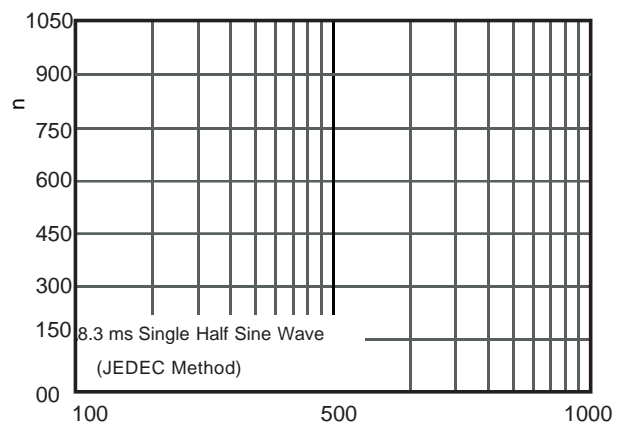
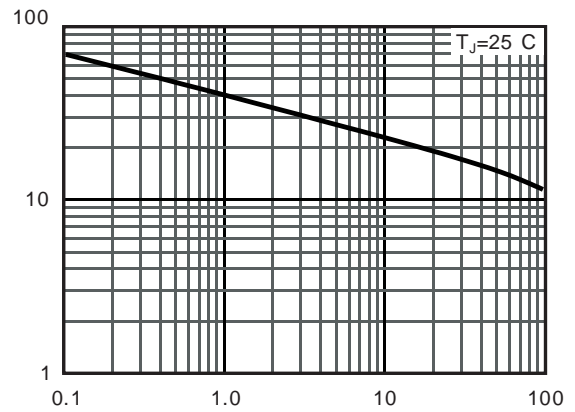
2. Thermal resistance junction to case, lead and ambient in accordance with JESD-51.

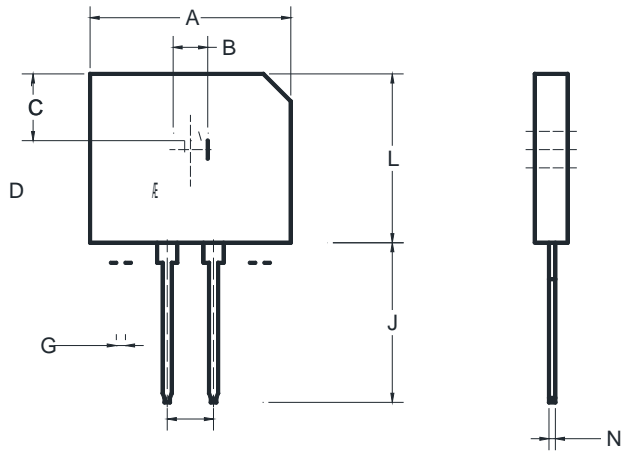
Unit mounted on glass-epoxy substrate with 1oz/ft<sup>2</sup> 20x20 mm copper pad per pin with heatsink

# KGBU1510

13-NOV-2018

## RATINGS AND CHARACTERISTICS CURVES (TA = 25 °C unless otherwise noted)





Dimensions in millimeters